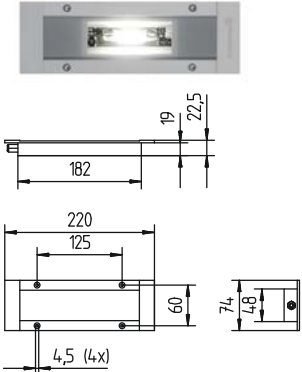
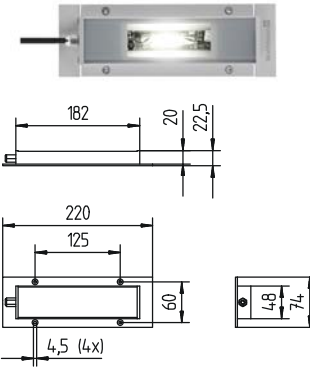
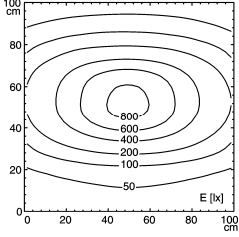
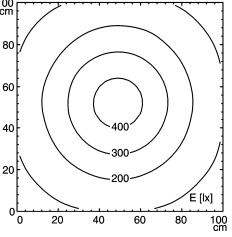
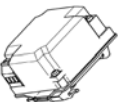

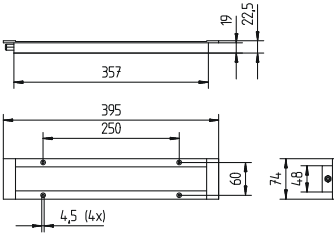

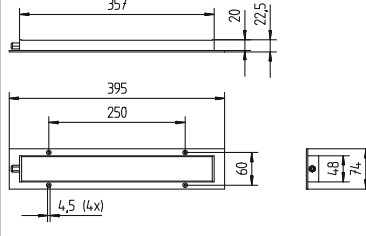
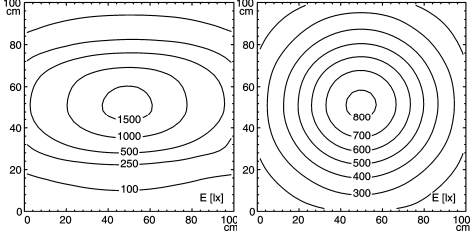


PICTURES/DETAILS			
Built-in version	Mounted version	With 30° lens	Without lens
			
		Measuring distance: 50 cm	

SPECIFICATIONS	
Power Consumption:	6 Watt
Connected load:	24 Volt (voltage range 20-28 Volt)
Connection:	3 m lead (Ölflex Robust 210) with free stranded wires (+/-/ground wire) The luminaire features reverse polarity protection The luminaire will still function even if you switch out the + and - leads, but the ground wire must be properly connected.
Material housing:	anodized aluminum
System of protection:	IP 67
Class of protection:	III
Lamp cover:	4 mm safety glass
Maximum ambient temperature:	40 °C


ORDER DATA				
Order number	Assembly	Type	30° lens	DC/AC
112 571 000	Built-in	MUEL 1 S	X	DC
112 571 001	Built-in	MUEL 1 S	X	AC
112 571 002	Built-in	MUEL 1 S		DC
112 571 003	Built-in	MUEL 1 S		AC
112 571 020	Mounted	MUAL 1 S	x	DC
112 571 021	Mounted	MUAL 1 S	x	AC
112 571 022	Mounted	MUAL 1 S		DC
112 571 023	Mounted	MUAL 1 S		AC

ACCESSORIES - EXTERNAL OPERATING DEVICE (24 V)					
	Connected load	Outlet voltage	Connection	Special features	Order number
	120-240 V, 50/60 Hz	24 Volt (DC)	max. 20 Watt	Clip for top hat rail	209 585 029

PICTURES/DETAILS		
Built-in version  	Mounted version  	With 30° lens Without lens  Measuring distance: 50 cm

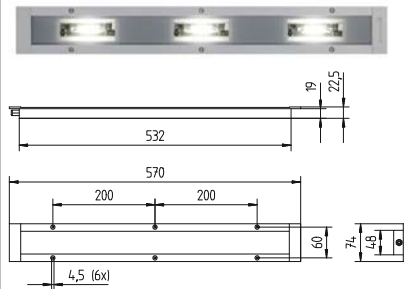
SPECIFICATIONS	
Power Consumption:	12 Watt
Connected load:	24 Volt (voltage range 20-28 Volt)
Connection:	3 m lead (Ölflex Robust 210) with free stranded wires (+/-/ground wire) The luminaire features reverse polarity protection The luminaire will still function even if you switch out the + and - leads, but the ground wire must be properly connected.
Material housing:	anodized aluminum
System of protection:	IP 67
Class of protection:	III
Lamp cover:	4 mm safety glass
Maximum ambient temperature:	40 °C

ORDER DATA				
Order number	Assembly	Type	30° lens	DC/AC
112 571 004	Built-in	MUEL 2 S	X	DC
112 571 005	Built-in	MUEL 2 S	X	AC
112 571 006	Built-in	MUEL 2 S		DC
112 571 007	Built-in	MUEL 2 S		AC
112 571 024	Mounted	MUAL 2 S	x	DC
112 571 025	Mounted	MUAL 2 S	x	AC
112 571 026	Mounted	MUAL 2 S		DC
112 571 027	Mounted	MUAL 2 S		AC

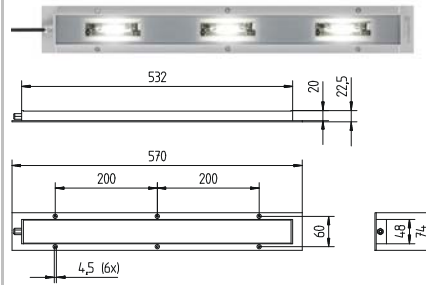
ACCESSORIES - EXTERNAL OPERATING DEVICE (24 V)					
	Connected load	Outlet voltage	Connection	Special features	Order number
	120-240 V, 50/60 Hz	24 Volt (DC)	max. 20 Watt	Clip for top hat rail	209 585 029

PICTURES/DETAILS

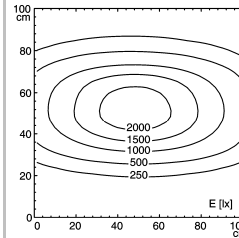
Built-in version



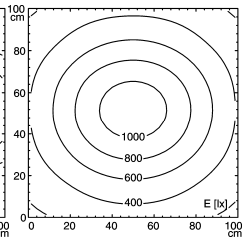
Mounted version



With 30° lens



Without lens



Measuring distance: 50 cm


SPECIFICATIONS


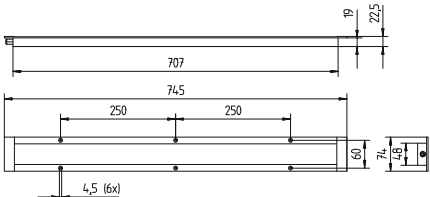

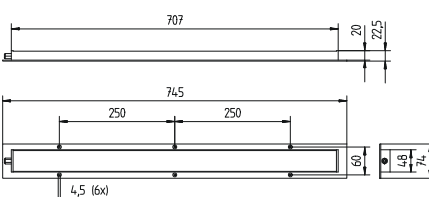
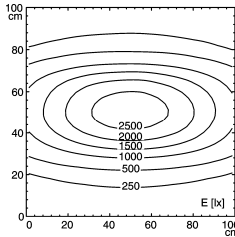
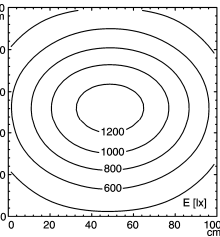
Power Consumption:	18 Watt
Connected load:	24 Volt (voltage range 20-28 Volt)
Connection:	3 m lead (Ölflex Robust 210) with free stranded wires (+/-/ground wire) The luminaire features reverse polarity protection The luminaire will still function even if you switch out the + and - leads, but the ground wire must be properly connected.
Material housing:	anodized aluminum
System of protection:	IP 67
Class of protection:	III
Lamp cover:	4 mm safety glass
Maximum ambient temperature:	40 °C

ORDER DATA

Order number	Assembly	Type	30° lens	DC/AC
112 571 010	Built-in	MUEL 3 S	X	DC
112 571 011	Built-in	MUEL 3 S	X	AC
112 571 012	Built-in	MUEL 3 S		DC
112 571 013	Built-in	MUEL 3 S		AC
112 571 030	Mounted	MUAL 3 S	X	DC
112 571 031	Mounted	MUAL 3 S	X	AC
112 571 032	Mounted	MUAL 3 S		DC
112 571 033	Mounted	MUAL 3 S		AC

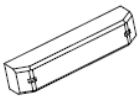

ACCESSORIES - EXTERNAL OPERATING DEVICE (24 V)

	Connected load	Outlet voltage	Connection	Special features	Order number
	120-240 V, 50/60 Hz	24 Volt (DC)	max. 20 Watt	Clip for top hat rail	209 585 029

PICTURES/DETAILS		Mounted version	With 30° lens	Without lens
Built-in version  		 		
Measuring distance: 50 cm				

SPECIFICATIONS	
Power Consumption:	24 Watt
Connected load:	24 Volt (voltage range 20-28 Volt)
Connection:	3 m lead (Ölflex Robust 210) with free stranded wires (+/-/ground wire) The luminaire features reverse polarity protection The luminaire will still function even if you switch out the + and - leads, but the ground wire must be properly connected.
Material housing:	anodized aluminum
System of protection:	IP 67
Class of protection:	III
Lamp cover:	4 mm safety glass
Maximum ambient temperature:	40 °C

ORDER DATA				
Order number	Assembly	Type	30° lens	DC/AC
112 571 014	Built-in	MUEL 4 S	X	DC
112 571 015	Built-in	MUEL 4 S	X	AC
112 571 016	Built-in	MUEL 4 S		DC
112 571 017	Built-in	MUEL 4 S		AC
112 571 034	Mounted	MUAL 4 S	X	DC
112 571 035	Mounted	MUAL 4 S	X	AC
112 571 036	Mounted	MUAL 4 S		DC
112 571 037	Mounted	MUAL 4 S		AC

ACCESSORIES - EXTERNAL OPERATING DEVICE (24 V)					
	Connected load	Outlet voltage	Connection	Special features	Order number
	220-240 V, 50/60 Hz	24 Volt (DC)	max. 75 Watt	IP 20	309 425 020
	220-240 V, 50/60 Hz	24 Volt (DC)	max. 75 Watt	IP 64	309 425 010