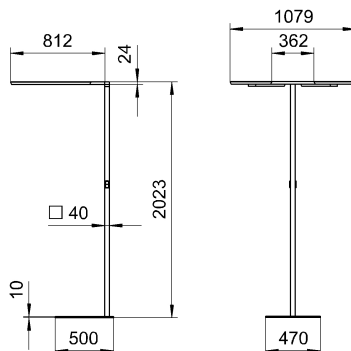


Free-standing luminaire YARA.doubleU YUS 2/15000/VTL/R/WS/CEE/S0/C

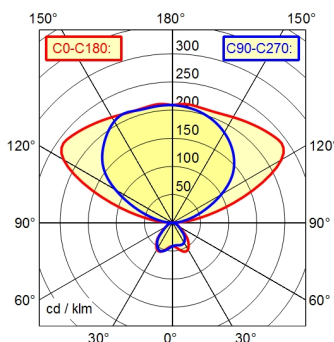
114268000-00812019

Waldmann **W**

ENGINEERS OF LIGHT



D43 ↓13.0% ↑87.0%



Light source
Work equipment
Connected load
Power consumption
Standby
Power factor
Luminous flux
Luminous efficiency ¹⁾
Light type/-color
Colour temperatur
Color rendering index
Light distribution
Direct ratio
Chromaticity tolerance LED
Glare control
Luminance (L65)
UGR class (4H 8H; EN 12464-1)
System of protection/Class
Technology
Operation
Emergency lighting
Housing
Light source cover
Arm
Luminaire base
Mains lead
Fastening
Life expectancy LED
Energy efficiency class
EAN
Weight without/incl. packaging
Special features

LED
 Electronic ballast DALI
 220 - 240 V; AC; 50 Hz; 60 Hz
 ca. 210 W; 214 W
 ca. 0,5 W
 env. 0,966
 approx. 30.000 lm
 approx. 142 lm/W
 dynamic white; Warm white; Cold white; Daylight
 approx. 2.700 K; 6.500 K
 CRI ≥ 80
 Direct/indirect
 approx. 13 %
 < 3 SDCM
 Prism aperture
 ≤ 2.700 cd/m²
 ≤ 16
 IP 20; I
 Presence and daylight sensor control (PIR)
 Wireless switch
 none
 Aluminium/plastic; Powder coatet; White
 Acrylic (PMMA)
 Steel tube; Powder-coated; Tubular section upright; White
 C-form flat
 ca. 3 m; Mains plug; CEE 7/VII
 Floor standing base
 L80B50 60.000h
 D; D
 4013330140922
 ca. 26 kg; 30,3 kg
 Asymmetric radiation; Flicker-free; App control; Direct and indirect lighting component with edge light and light guide technology for a homogeneous light exit; PIR movement and daylight sensor; TALK Bluetooth; Biodynamic light VTL; Magnetic control panel, freely positionable

¹⁾ For luminaires with separate control gear, the luminous efficacy refers to the luminaire head without control gear