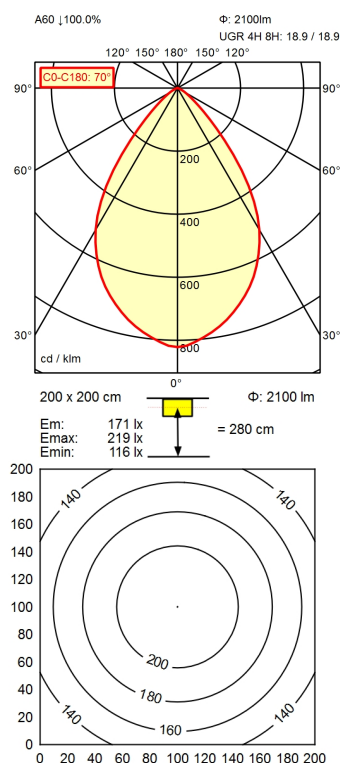


CE



Light source
Work equipment
Connected load
Power consumption
Standby
Power factor
Luminous flux
Luminous efficiency¹⁾
Light type/-color
Colour temperatur
Color rendering index
Light distribution
Beam angle
Chromaticity tolerance LED
Glare control
Luminance (L65)
UGR class (4H 8H; EN 12464-1)
System of protection/Class²⁾
Technology
Operation
Housing
Mains lead
Design
Fastening
EAN
Weight without/incl. packaging
Packaging dimensions
Special features

LED
Electronic ballast
220 - 240 V; 50 Hz; 60 Hz
approx. 20 W
approx. 0,2 W
env. 0,9
approx. 2.100 lm
approx. 105 lm/W
Cold white
approx. 4.000 K
CRI ≥ 80
Direct; approx. 100 %
70 °
< 3 SDCM
Prism aperture
≤ 3.300 cd/m²
≤ 19
IP 20; 22; II
Switchable
External
Sheet metal; White
approx. 0,35 m; Connector
Integrated version
Tension spring
4013330042059
0,89; approx. 1,1 kg
approx. 270 mm; 290 mm; 150 mm
Flicker-free; As supplement for room depths and walking areas; Suitable as emergency lighting; Ceiling installation without tools by means of tension springs; Low installation depth thanks to external ballast; Strain relief with the possibility of through-wiring

¹⁾ For luminaires with separate control gear, the luminous efficacy refers to the luminaire head without control gear
²⁾ Higher degree of protection when installed.