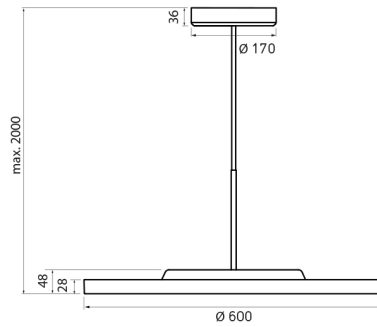


Suspended luminaire VIVAA.pendant VIP 10000/940/D

114484000-00812834

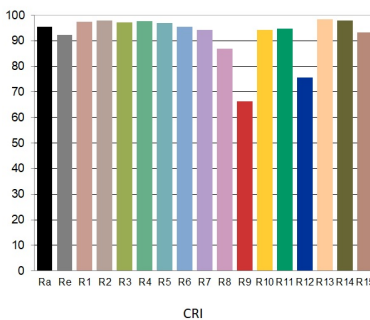
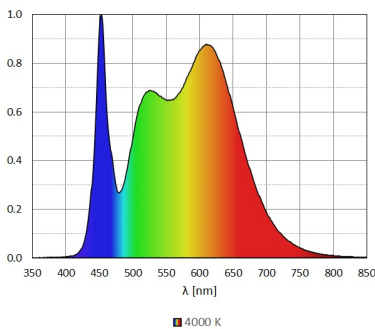
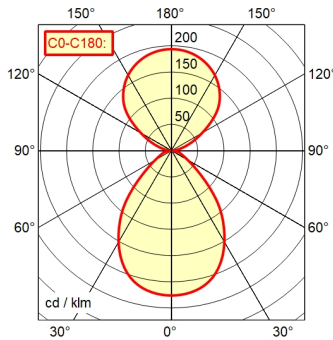
Waldmann **W**

LIGHT FOR BETTER RESULTS



5 pin

C53 | 49.1% ↑ 50.9% Φ: 10200 lm
UGR 4H 8H: 14.6 / 14.6



Work equipment

Connected load

Power consumption

Luminous flux

Luminous efficiency ¹⁾

Light type/-color

Colour temperatur

Color rendering index

Light distribution

Glare control

Luminance (L65)

UGR class (4H 8H; EN 12464-1)

System of protection/Class

Technology

Operation

Housing

Light source cover

Mains lead

Fastening

Maximum ambient temperature

Energy efficiency class

EAN

Weight without/incl. packaging

Packaging dimensions

Special features

Power supply unit

220 - 240 V; AC; 50 Hz; 60 Hz

approx. 85 W

approx. 10.200 lm

approx. 120 lm/W

Cold white

approx. 4.000 K

CRI ≥ 90; R9 ≥ 50

Direct/indirect; approx. 50 %

Prism aperture

≤ 2.600 cd/m²

≤ 16

I

Two-stage switchable; Continuously dimmable;

DALI

External

Aluminium; Painted; White

Acrylic (PMMA); Satine

approx. 2 m; Connector; 5 pin; Single Luminaire

Ceiling mounted

25 °C

C; E

4013330151904

7,5; approx. 9,4 kg

approx. 700 mm; 800 mm; 165 mm

Power cable white; DIN EN 60598-2-25; Separated, direct and indirect light individually adjustable; DALI Load 2x; Suitable as emergency lighting

¹⁾ For luminaires with separate control gear, the luminous efficacy refers to the luminaire head without control gear